

Sulfur Dioxide Detector-Transmitter E2608-SO2



Features

- Wall-mount or duct-mount version
- Industrial IP65 housing
- Two relays for alarm / ventilation control
- Two analog outputs settable to 4-20 mA or 0-10 V
- RS485 Modbus RTU digital interface
- Attached or remote sensor

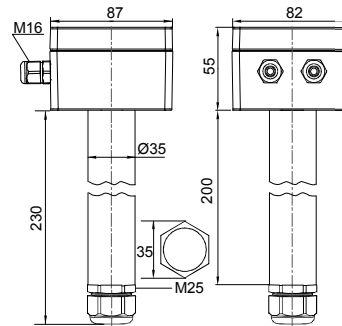
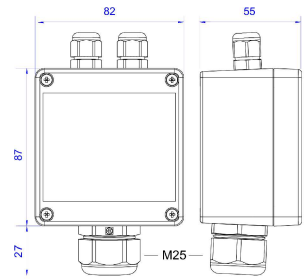
Specifications

Detected gas	Sulfur dioxide	
Sensor type	electrochemical	
Sampling method	diffusion	
Typical detection range	0...50 ppm	0...2000 ppm
Maximum overload	75 ppm	10 000 ppm
Resolution / digital unit	0.1 ppm	1.5 ppm/1 ppm
Response time T90	<35 s	
Signal update	every 1 second	
Maintenance interval	6 months	
Sensor lifetime	> 2 years	
Self-diagnostics	full functionality check at start-up	
Warm-up time	≤ 1 min	
Power supply	11...30 VDC, 24 VAC or 90...265 VAC	
Power consumption	< 2 VA	
Digital interface	RS485, Modbus RTU protocol	
Analog outputs	2 × 4-20 mA / 0-10 V, user settable	
Output scale width	recommended: 20-100% of the range; > 10 × resolution in any case	
Output relays	2 × SPST relays (closing contact), 250 VAC / 30 VDC, 5 A max	
Alarm set-points	defined by user within 5-95% of the detection range	
Enclosure	light grey ABS plastic, wall mount, protection class IP65	
Dimensions	H85 × W82 × D55 mm	
Remote sensor probe	protection IP65, shielded cable default cable length 3.0 m	
Operating environment	industrial indoor and outdoor locations	
Operating conditions	-30...50; 15...90 %RH pressure 0,9...1,1 atm non ATEXrated areas non-aggressive atmosphere	

NOTE The sensor may exhibit considerable sensitivity to nitrogen dioxide, chlorine, ethylene, hydrogen sulfide

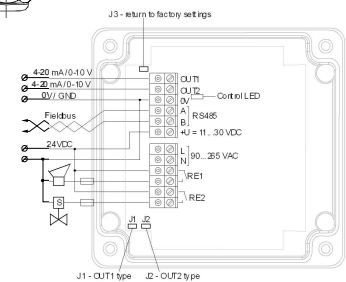
Ask for other versions or custom designed products

Wall mount version



Duct mount version

Connection diagram



Remote probe

